

Ku-Band 2W BUC (Block Up Converter)



Applications

- High power BUCs for VSAT
- SatCom Applications

Features

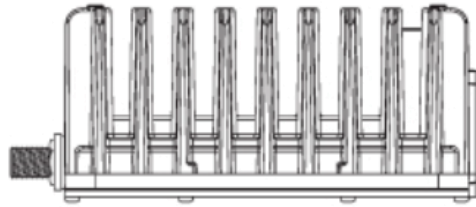
- Compact Size and Light Weight
- Non-Inverter Type
- Various Options for Interface

Specification

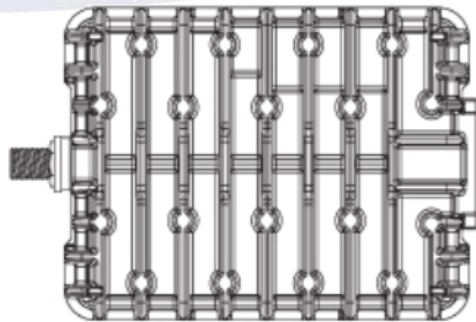
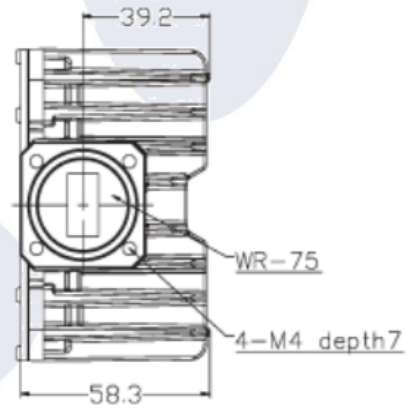
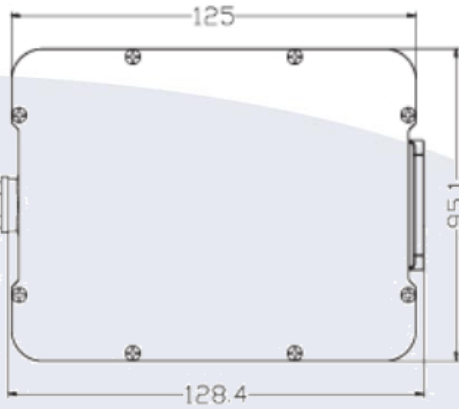
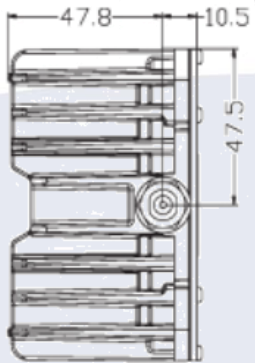
Frequency Band	GMU137145B09 / GMU140145B09
RF Frequency	13.75 to 14.5GHz / 14.0 to 14.5GHz
IF Frequency	950 to 1700MHz / 950 to 1450MHz
LO	12.8 / 13.05GHz
Tx rated power (P1dB)	2W (33 dBm)
Gain	55dB typ.
Gain Variation over Temperature	4 dBp-p (over temp)
Gain Flatness	1.5 dBp-p max. @ any 54 MHz
	4.0 dBp-p max. @ full band
Input / Output VSWR	2:1
External Ref. (10MHz)	-5 to +5 dBm -125 dBc/Hz max. @ 100 Hz -135 dBc/Hz max. @ 1kHz -140 dBc/Hz max. @ 10kHz
Phase Noise (SSB)	-60 dBc/Hz @ 100Hz -70 dBc/Hz @ 1KHz -80dBc/Hz @ 10KHz -90 dBc/Hz @ 100KHz
In-band Spurious	-60dBc min.
Out-of-band Spurious	-50dBc min.
TX Shutdown	When PLL unlocked
DC Power	15 to 24V , 18W max.
Physical Interface	WR75G(RF Output), F-female(RF Input)
Dimension	128.4(L) X 95.1(W) X 58.3(H) mm
Weight	0.7 Kg max.
Temperature Range	Operation : -40°C to +55°C
	Storage : -45°C to +80°C

The specification subject to change without notice.

Ku-Band 2W BUC (Block Up Converter)



F-Female Connector



The specification subject to change without notice.