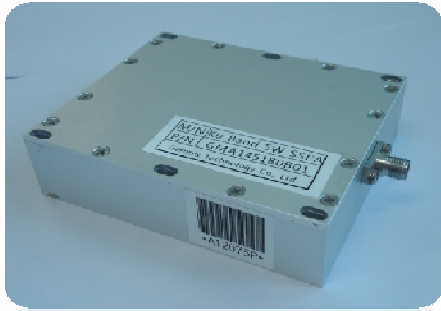


Ku Band 5W SSPA



Applications

- VSAT / SatCom Applications
- Radar application
- Defense / Military Applications
- Test / Simulator

Features

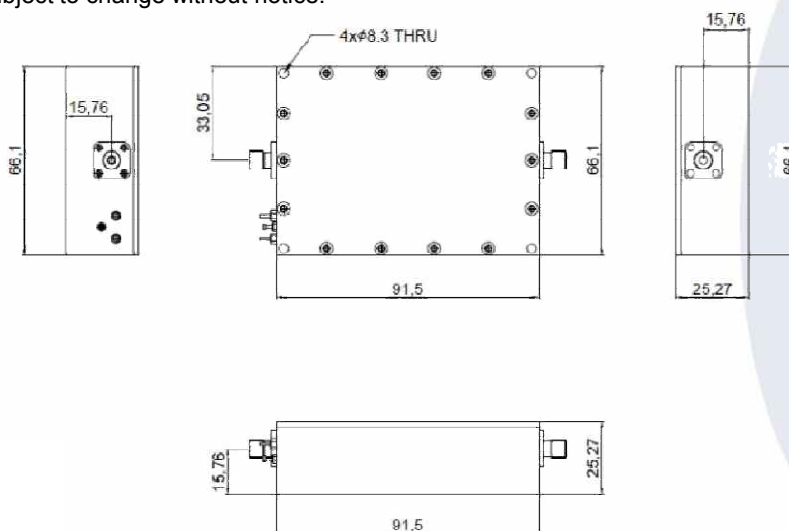
- High Linearity
- Compact Size and Light weight

Specification

Frequency GMA137145B02 GMA145180B01	13.75 to 14.5GHz 14.50 to 18.0GHz	
Output Power (Psat)	5 Watt (37dBm)	
Gain	50 dB typ.	
Gain Flatness	+/- 2dB	Full Band
Gain Flatness	+/- 0.5dB	Any 40MHz
Gain Variation over Temp.	3dBp-p	
3 rd Order IMD	-24dBc	(3dB back-off form P1dB)
Input VSWR	2 : 1	
Output VSWR	2 : 1	
Mute Control	TTL	
Operating Temperature	-40 to +70° C	
Size	91.5 x 66.1 x 25.3 mm	
DC consumption	6V @ 8A	

The Specification subject to change without notice.

Dimension



For the customized specification, price, and delivery ; Contact us



#1005, Woolim Lions Valley 3rd, 5445 Sangdaewon-dong, Jungwon-gu, Seoungnam-si, Gyeonggi-do 462-819, Korea
TEL : +82-31-713-6105 FAX : +82-31-720-5011 [Http://www.genmixtech.com](http://www.genmixtech.com)

Ka Band 5W SSPA



Applications

- VSAT / SatCom Applications
- Radar application
- Test / Simulator

Features

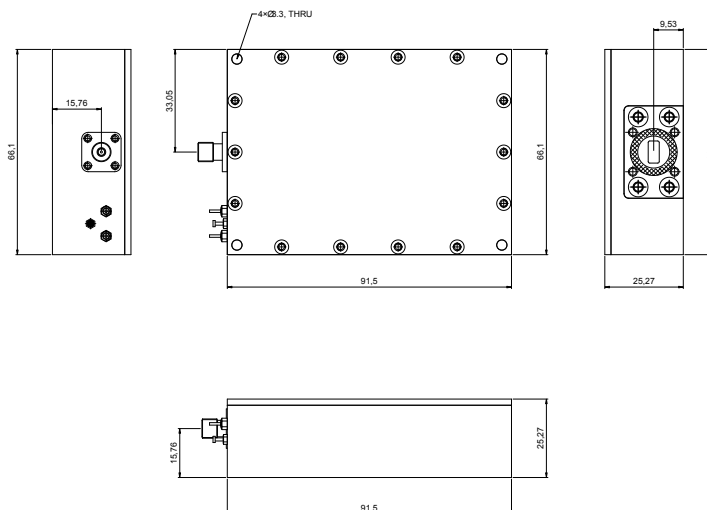
- High Linearity
- Compact Size and Light weight

Specification

Frequency	A : 29 ~ 30GHz / B : 30 ~ 31GHz	
Output Power	5 Watt	
Linear Power	33 dBm	
Gain	50 dB typ.	
Gain Flatness	+/- 2dB	Full Band
Gain Flatness	+/- 0.5dB	Any 40MHz
Gain Variation over Temp.	3dBp-p	
3 rd Order IMD	-24dBc	(3dB back-off form P1dB)
Input VSWR	2:1	
Output VSWR	1.5 : 1	
Mute Control	TTL	
Operating Temperature	-40 to +70° C	
Size	91.5 x 66.1 x 25.3 mm	
DC consumption	6V @ 8A	

The Specification subject to change without notice.

Dimension

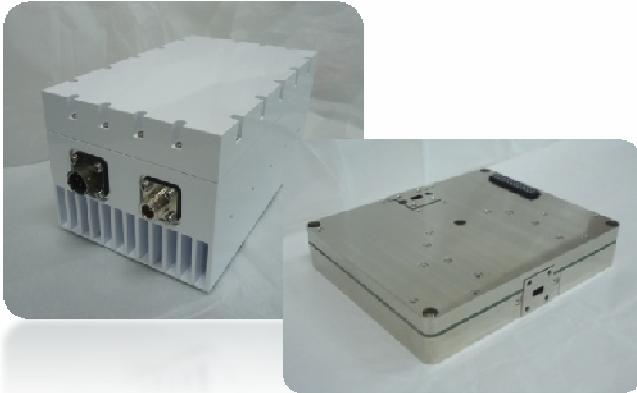


For the customized specification, price, and delivery ; Contact us



#1005, Woolim Lions Valley 3rd, 5445 Sangdaewon-dong, Jungwon-gu, Seoungnam-si, Gyeonggi-do 462-819, Korea
 TEL : +82-31-713-6105 FAX : +82-31-720-5011 [Http://www.genmixtech.com](http://www.genmixtech.com)

X / Ka Band 10W SSPA



Applications

- VSAT / SatCom Applications
- Radar application
- Test / Simulator

Features

- High Efficiency
- High Linearity
- Compact Size and Light weight

Specification

Frequency	7.9 ~ 8.4GHz	29 ~ 30GHz 30 ~ 31GHz	Remark
Output Power @P1dB	8W	8W	
Linear Power	36 dBm	36 dBm	
Gain	50 dB typ.	50 dB typ.	
Gain Flatness	+/- 2dB	+/- 2dB	Full Band
Gain Flatness	+/- 0.5dB	+/- 0.5dB	Any 40MHz
Gain Variation over Temp.	3dBp-p	3dBp-p	
3 rd Order IMD (3dB back-off form P1dB)	-24dBc	-24dBc	
Input VSWR	2:01	2:01	
Output VSWR	1.5 : 1	1.5 : 1	
Mute Control	TTL	TTL	
Operating Temperature	-32 to +70° C	-32 to +70° C	
Size	*	110 x 85 x 24 mm	
DC consumption	10V 7.5A	6.5V 12.5A	

The Specification subject to change without notice.



For the customized specification, price, and delivery ; Contact us

#1005, Woolim Lions Valley 3rd, 5445 Sangdaewon-dong, Jungwon-gu, Seoungnam-si, Gyeonggi-do 462-819, Korea
TEL : +82-31-713-6105 FAX : +82-31-720-5011 [Http://www.genmixtech.com](http://www.genmixtech.com)